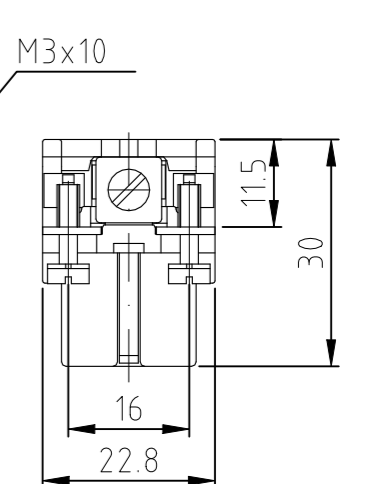
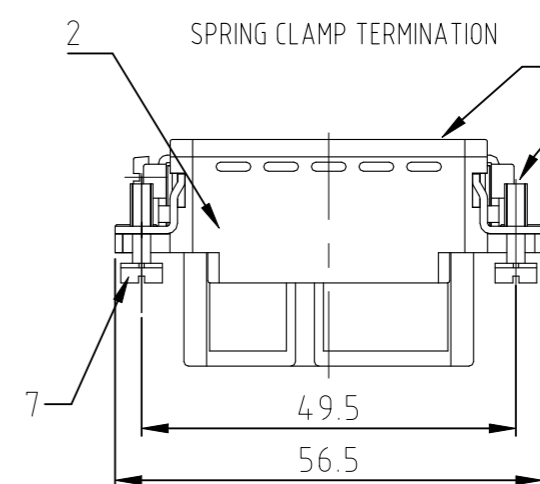
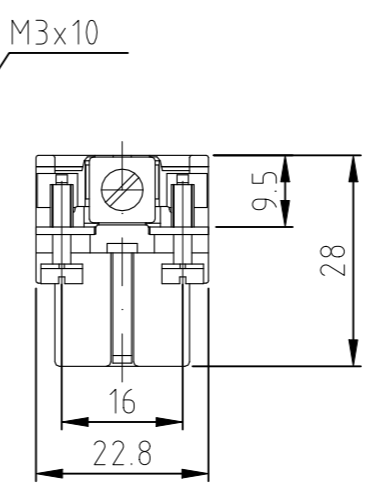
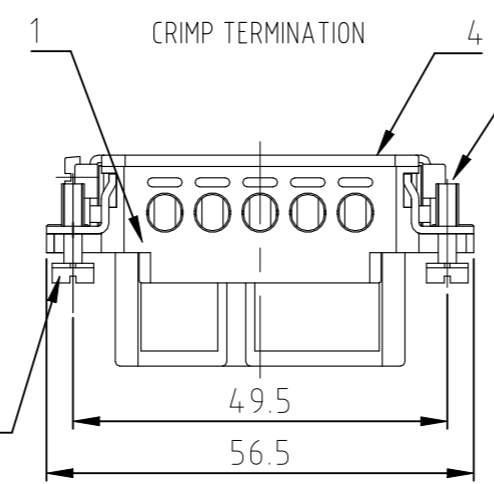
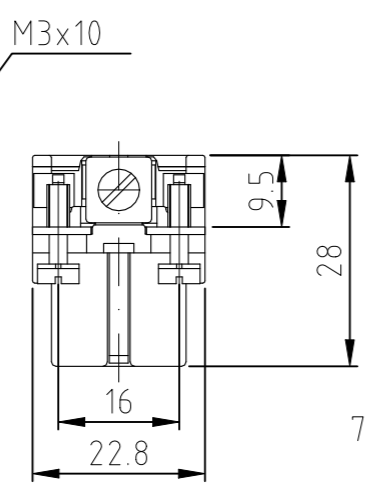
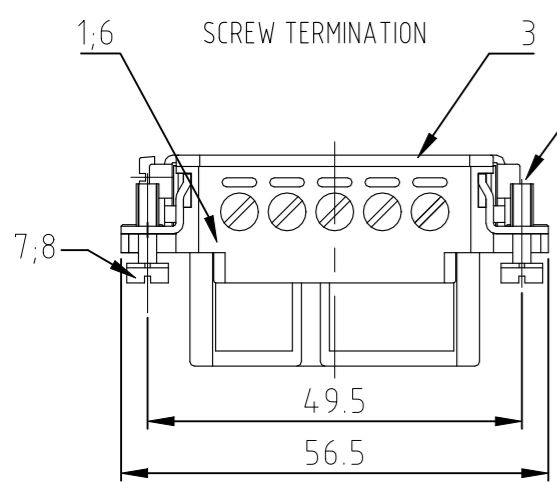


© VERTRAULICHE UNVERÖFFENTLICHTE ZEICHNUNG. All Rights Reserved.

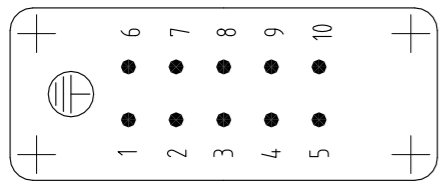
FREI FUER VERÖFFENTLICHUNG
ALLE RECHTE VORBEHALTEN

MATED WITH:
PASSEND ZU:
HA 10

REVISIONS ÄNDERUNGEN					
P	LTR	DESCRIPTION BESCHREIBUNG	DATE	DWN	APVD
	D5	REVISED PER ECR-21-123577	08JUL2022	RK	JB

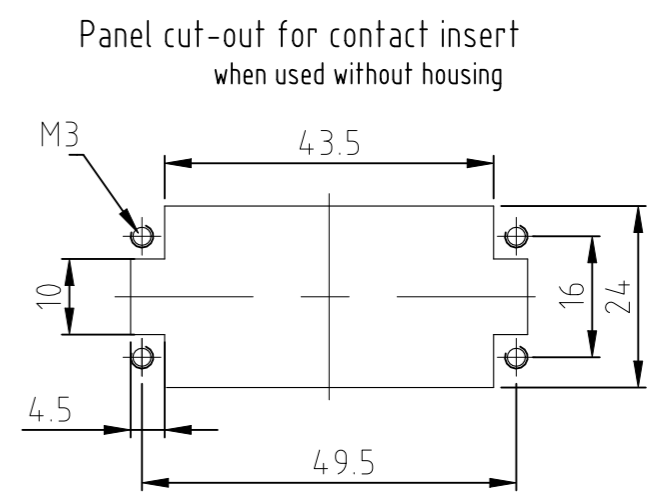
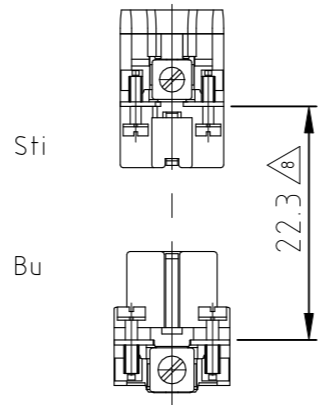


Contact arrangement / view from termination side



Assembling instruction

DISTANCE FOR SAFETY CONTACT MARKING MAX. 24 mm



- NOTES
- SUITABLE CRIMP CONTACTS: SERIES HE/HA
OUTER DIMENSIONS OF INSULATION: MAX. Ø3,2 MM
 - SUITABLE HOOD SIZE 2: SERIES HA; HD
SUITABLE INSERTION AND EXTRACTION TOOL:
SCREWDRIVER 0,5x3 DIN 5264
 - Strip length: Screw conection 10mm
Spring clamp conection 10mm Crimp conection 7.5mm
 - STANDARDS:
DIN EN 61984; DIN EN 60664-1
- PACKAGING
10 SETS IN A CARTON, PRE-MOUNTED
 - SPECIAL PACKAGING
200 PIECES IN A KANN-BAN BOT
 - SPECIAL PACKAGING
100 PIECES IN A KANN-BAN BOT

OBSOLETE	OBSOLETE	OBSOLETE	OBSOLETE	OBSOLETE	OBSOLETE	OBSOLETE	OBSOLETE	OBSOLETE	OBSOLETE
				4		4			
	4								4
		4			1				
								1	
									1
									1
									1
									1
									1

DESCRIPTION / BENENNUNG	MATERIAL	Surface	COLOR / FARBE	ITEM NO. POS.	NOTES
fixing screw	stainl. steel	blank/even		8	M3x10
fixing screw	Stahl/steel	nickel plated	blue	7	M3x10
socket insert screw	PBT		light beige	6	with AU contact
cover spring strain clip	PBT		light beige	5	
cover crimp	PBT		light beige	4	
cover screw	PBT		light beige	3	
socket insert spring strain clip	PBT		light beige	2	
socket insert crimp&screw	PBT		light beige	1	

ORDERING TEXT / BESTELL TEXT

THIS DRAWING IS A CONTROLLED DOCUMENT.
DIESE ZEICHNUNG IST EIN KONTROLLIERTES DOKUMENT.

DIMENSIONS: MASSE/NHEITEN: mm

TOLERANCES UNLESS OTHERWISE SPECIFIED: ALLGEMEINTOLERANZEN

0 PLC ± / -0.15
1 PLC ± / -0.2
2 PLC ± / -0.2
3 PLC ± / -0.2
4 PLC ± / -0.2

FINISH/OBERFLAECHE/FARBE

DWN Schneider 08.02.2000
CHK Schweiger 08.02.2000
APVD - NAME

PRODUCT SPEC PRODUKTSPEZ. 108-74007
APPLICATION SPEC VERARBEITUNGSSPEZ. 114-74009

WEIGHT GEWICHT -

CUSTOMER DRAWING/KUNDENZEICHNUNG

SCALE MASSTAB 1:1
SHEET BLATT 1 von 1
REV D5

STE TE Connectivity
Socket insert
Buchseneinsatz HA.10.Bu

SIZE A3 CAGE CODE 00779 DRAWING NO ZEICHNUNGS-NR. C-1103415 RESTRICTED TO NUR FUER