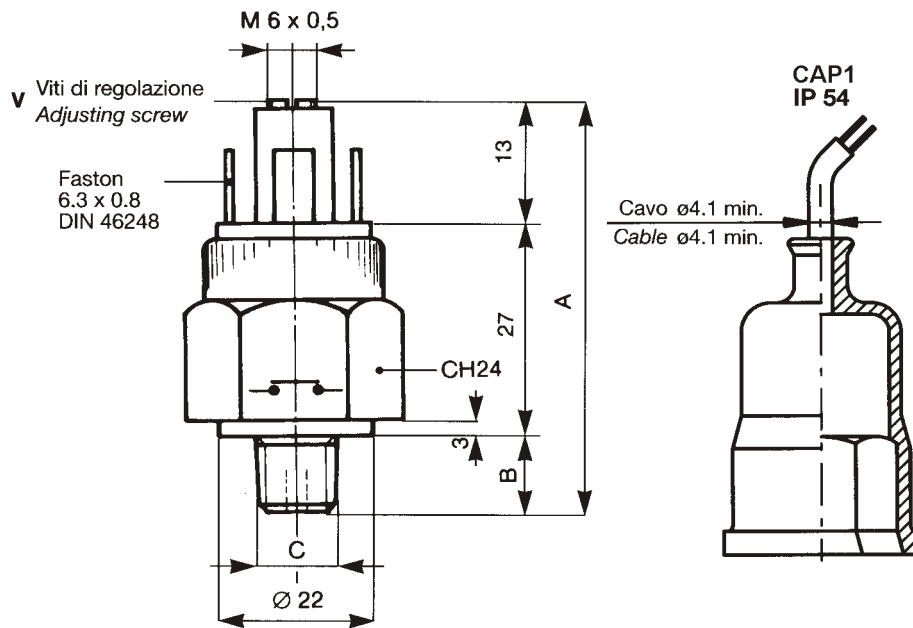


ADJUSTABLE PRESSURE SWITCHES TYPE PMN

Adjustment ranges 0,1 ÷ 300 bar - Max voltage 48 V - Push-on terminals 6,3x0,8



* contact Open or Closed

MODEL Dimension C	PMN1 PMN1	PMN2*14K PMN2*10K	PMN10*14K PMN10*10K	PMN20*14K PMN20*10K	PMN50*14K PMN50*10K	PMN80*14K PMN80*10K	PMN150*14K PMN150*10K	PMN250*14K PMN250*10K	PMN300*14K PMN300*10K
A mm	50	52 50	52 50	52 50	52 50	52 50	52 50	52 50	54 52
B mm	10	12 10	12 10	12 10	12 10	12 10	12 10	12 10	12 10

TECHNICAL DATA STANDARD EXECUTION

Max voltage	48 Vac/dc
Current	0,5 A (res.) 0,2 A (ind.)
Temperature range	-5 +60 °C (standard NBR diaphragm. See option)
Max cycle rate @ 25 °C	200/1" diaphragm
Max cycle rate @ 25 °C	80/1" piston
Mechanical life	10 ⁶ cycles
Protection terminals	IP 00
Protection with CAP1	IP 54
Protection with CAP10	IP 54
Tightening torque max.	5 Kgm

MATERIAL STANDARD EXECUTION

24 AF body low pressure	Brass
24 AF body medium/high pressure	Acciaio tropicalizzato
Membrane	NBR
High pressure piston	NBR
"F" contact holder	Nylon 6,6
Electrical contacts	Silver plated copper 3 micron
Protection caps	NBR blacks

ADJUSTABLE PRESSURE SWITCHES TYPE PMN

Adjustment ranges 0,1 ÷ 300 bar - Max voltage 48 V - Push-on terminals 6,3x0,8

ORDERING CODE

PMN 50 A V 14K SG T

TYPE	PMN
PMN	
RANGE	50
1-2-10-20-50-80 150-250-300	
CONTACTS	A
NA (norm. Open) NC (norm. Closed)	
MEMBRANE-PISTON	V
(-)-V-S-NT-N-E-MI	
THREADS	14K
(-)-14K-10K-M12-R14	
SPECIAL EXECUTIONS	SG
I-P-AP-G-SG-TG	
SET-POINT	T
T... T...D T...F	

EXPLANATION CODE

TYPE

PMN Pressure switch, push-on terminals 6.3 x 0.8

RANGE

PMN 1 0,1 ÷ 1 bar
 PMN 2 0,15 ÷ 2 bar
 PMN 10 2 ÷ 10 bar
 PMN 20 10 ÷ 20 bar
 PMN 50 10 ÷ 50 bar
 PMN 80 50 ÷ 80 bar
 PMN 150 50 ÷ 150 bar
 PMN 250 100 ÷ 250 bar
 PMN 300 50 ÷ 300 bar

CONTACTS

A Contact Norm. Open (without pressure)
 C Contatto Norm. Closed (without pressure)

MEMBRANE-PISTON

(-) NBR -5 +90 °C
 NT HNBR -40 +140 °C
 V Viton -5 +90 °C
 S Silicone -30 +120 °C
 N Neoprene -10 +90 °C
 E EPDM -20 +110 °C
 MI Acc. Inox

THREADS "A"

(-) G1/8"K taper (A=50 mm)
 14K G1/4"K taper (A=52 mm)
 10K M10 x 1 taper (A=50 mm)
 M12 M12 x 1,5 parallel
 R14 G1/4" parallel

SPECIAL EXECUTIONS

I AISI 303 body
 PMN 2-10-20-50-80 P. Max 150 bar
 PMN 150 P. Max 300 bar
 P Pocan switch housing -40 +140 °C
 G Gold contact 3 micron for low current
 SG Degreased for oxygen applications
 AP High pressure execution
 TG Tested for gas applications

SET-POINT

T... Rise to required value, Ex. T7
 T...D Fall to required value, Ex. T5D

Model	Adjustment range	Type	Body material	Max. static pressure	A GAS	B mm	C mm	Fixed hysteresis @ 25 °C	Tolerance @ 25 °C	Weight gr
PMN1	0,1 ÷ 1	Membrane	Brass	80 bar	50	10	1/8K	0,1	±0,1	63
PMN2	0,15 ÷ 2			80 bar	50	10	1/8K	0,15	±0,2	63
PMN10	2 ÷ 10			800 bar	50	10	1/8K	0,2	±0,3	63
PMN20	10 ÷ 20			300 bar	50	10	1/8K	0,3	±0,4	63
PMN50	20 ÷ 50			300 bar	50	10	1/8K	0,8	±1	63
PMN80	50 ÷ 80			300 bar	50	10	1/8K	5,5	±2	63
PMN150	50 ÷ 150	Piston	Tropicalized steel	300 bar	50	10	1/8K	10	±5	63
PMN250	100 ÷ 250			600 bar	50	10	1/8K	15	±10	63
PMN300	50 ÷ 300			600 bar	52	10	1/8K	20	±15	79