



STV/STR is a series of 2 and 3-way control valves intended for use in HVAC- applications.

- * Size DN15 up to DN50
- * Kv value 0.63...39
- * Differential pressure 0.25...1.6 MPa
- * Pressure rating PN16
- * Fluid temperature -5...185°C
- * Changeable 2/3-ways without dismantling

Function

Valve series STV/STR are intended for use together with actuator type AQT1000A-1R or AQM2000A-1R. The valve can control cold and hot water, glycol blended water and steam. The 3-way valve is intended for use as a mixing valve.

N.B. For certain anti-freeze media, except glycol, a special packing-box should be used.
(Please contact Regin for more information)

Function

2-way valve:

Open when the stem is in the bottom position.
Closed when the stem is in the top position.

3-way valve:

Open between port 2 and port 1 when the stem is in the bottom position (closed between port 3 and 1).
Open between port 3 and port 1 when the stem is in the upper position (closed between port 2 and 1).

Can be rebuilt

The valves can without dismantling be changed from two-ways to three-ways or vice-versa.

Actuator

The valves are intended for use together with following actuators:

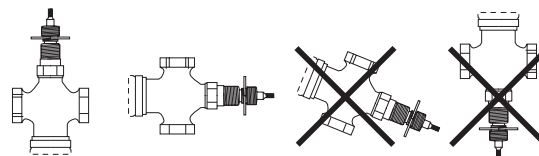
- AQT... (3-point)
- AQM... (0...10 V)

See leaflet 7-400 (AQT/AQM) for detailed information.

Installation

The 2-way valve is to be mounted with port 2 at the intake and port 1 at the return (flow direction 2 in 1 out) to make sure that the cone will be watertight and prevent noise when closing.

The 3-way valve is of mixing type and should be mounted at the mixing point. Make sure to mount the 3-way valve so that correct flow directions are obtained.



Material

The valves have body and cone in gun metal and the stem is made of stainless steel. The valves have a self adjusting teflon packing box and a Viton O-ring.

Control of refrigerants

The valves can be used together with different refrigerants. In this case a special type of packing-box should be mounted.

Please contact Regin for more information.

Models

2-way	Connection	Kv	Max diff.press	3-way	Connection	Kv	Max diff.press
STV15-0,63	DN15	Kv 0.63	1.6 MPa	STR15-0,63	DN15	Kv 0.63	1.6 MPa
STV15-1,0	DN15	Kv 1.0	1.6 MPa	STR15-1,0	DN15	Kv 1.0	1.6 MPa
STV15-1,6	DN15	Kv 1.6	1.6 MPa	STR15-1,6	DN15	Kv 1.6	1.6 MPa
STV15-2,1	DN15	Kv 2.1	1.6 MPa	STR15-2,1	DN15	Kv 2.1	1.6 MPa
STV15-2,7	DN15	Kv 2.7	1.6 MPa	STR15-2,7	DN15	Kv 2.7	1.6 MPa
STV20-4,2	DN20	Kv 4.2	1.6 MPa	STR20-4,2	DN20	Kv 4.2	1.6 MPa
STV20-5,6	DN20	Kv 5.6	1.6 MPa	STR20-5,6	DN20	Kv 5.6	1.6 MPa
STV25-10	DN25	Kv 10	1.0 MPa	STR25-10	DN25	Kv 10	1.0 MPa
STV32-16	DN32	Kv 16	0.6 MPa	STR32-16	DN32	Kv 16	0.6 MPa
STV40-27	DN40	Kv 27	0.4 MPa	STR40-27	DN40	Kv 27	0.4 MPa
STV50-39	DN50	Kv 39	0.25 MPa	STR50-39	DN50	Kv 39	0.25 MPa

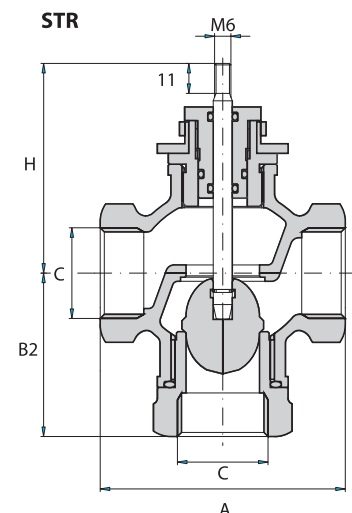
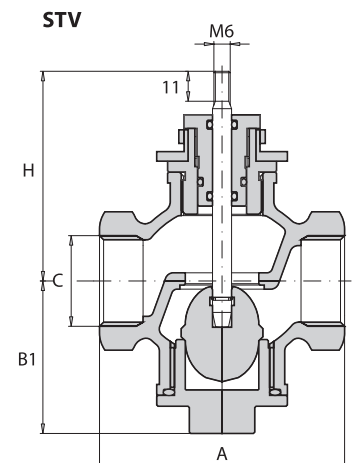
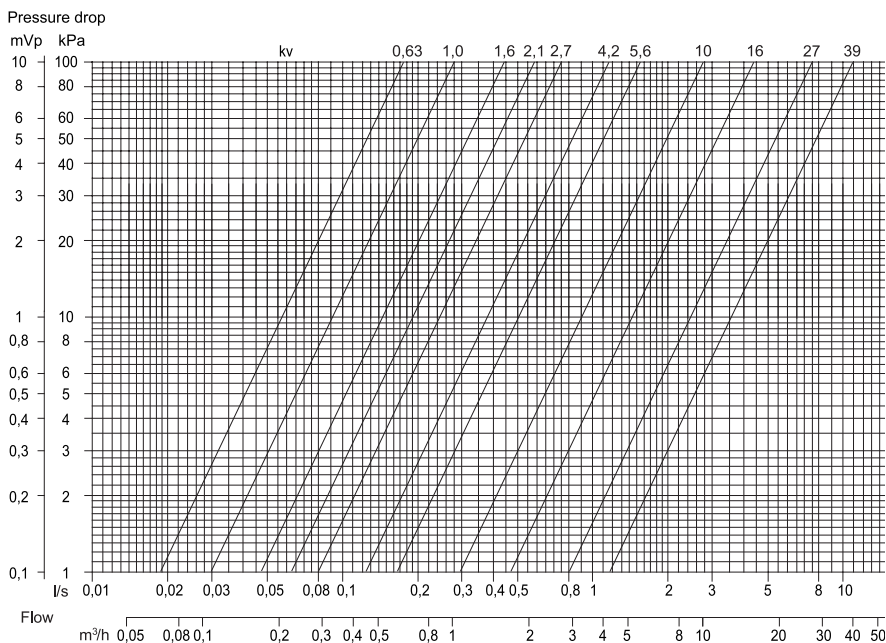
Technical data

Flow characteristics	Square	Material	Body	Rg5 (gun metal SS 5204)
Media temperature	-5...+185°C		Cone	Rg5 (gun metal SS 5204)
Media	Hot, cold, glycol mixed water or steam.		Stem	Stainless steel
Connection	Metric female threaded		Packing box	Self-adjusting teflon
Stroke	15 mm		O-ring	Viton
Max leakage	0,1 % av kv	Thread	The valves have female threaded connections according to ISO 228/1	
Pressure rating	PN16			
Rangeability	50:1			

Dimensions pressure drop diagram

	A	B1	B2	C	H	Weight
STV/STR15-0,63	70	52	57	G 1/2"	71	1.3 Kg
STV/STR15-1,0	70	52	57	G 1/2"	71	1.3 Kg
STV/STR15-1,6	70	52	57	G 1/2"	71	1.3 Kg
STV/STR15-2,1	70	52	57	G 1/2"	71	1.3 Kg
STV/STR15-2,7	70	52	57	G 1/2"	71	1.3 Kg
STV/STR20-4,2	80	54	60	G 3/4"	77	1.5 Kg
STV/STR20-5,6	80	54	60	G 3/4"	71	1.5 Kg
STV/STR25-10	90	56	60	G 1"	77	1.7 Kg
STV/STR32-16	115	59	70	G 1 1/4"	79	2.3 Kg
STV/STR40-27	130	68	76	G 1 1/2"	87	3.3 Kg
STV/STR50-39	160	68	80	G 2"	93	5.0 Kg

N.B. B1 measurements are valid for STV-models Measurements in mm
B2 measurements are valid for STR-models



Head Office Sweden

Phone: +46 31 720 02 00
Web: www.regin.se
Mail: info@regin.se

Sales Offices

France: +33 14 171 46 46
Hong Kong: +852 24 07 02 81
Singapore: +65 67 47 82 33

REGIN

THE CHALLENGER IN BUILDING AUTOMATION