

Accessories

# Charging Set VGU

The charging set VGU is an indispensable instrument for the verification, pressurization and nitrogen bleeding of most of the hydraulic accumulators available on the market. The standard set is delivered in a storage case containing the following:

- VGU universal tester and pressurizer (end M28 x 1.50).
- Pressure gauge kit from 0 to 25 bar.
- Pressure gauge kit from 0 to 250 bar.
- Connection adapters for inflation valves (7/8" - 5/8" - 8V1 - M28 x 1.50).
- High pressure hose, 2.5 m long, for connecting to a nitrogen source.
- Hexagon socket screw key 6mm.
- Jackets of replacement joints.
- Operating instruction in French, English, German.



**Note:** On request, the following options are available:

- Pressure gauge kits with different scale divisions: 63mm with glycerol bath back end G1/4" cyl. equipped with direct gear for Minimesis® connection. Scale divisions 0-10, 0-60, 0-100, 0-400, with accuracy class 1.6%.
- High pressure hose of different length with adapters for nitrogen bottles from various countries (specify country), at each end with a female swivel coupling G1/4" for connecting to the inflation port.

**Maximum working pressure:** limited by the maximum operating pressure of the installed hydraulic system, pressure limited to 400 bar in any case.

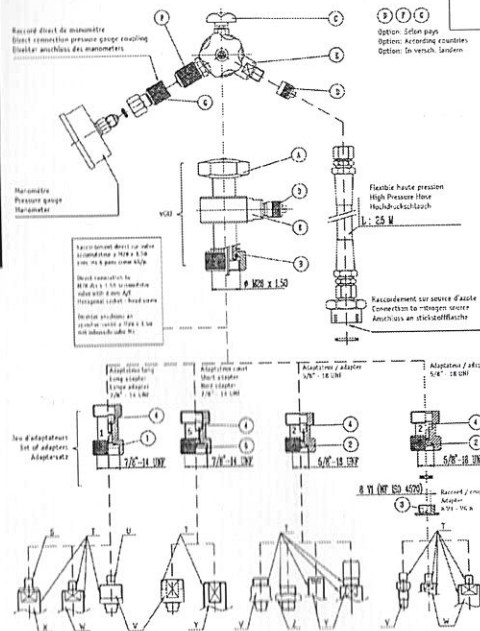
Type Part number	Spare Parts	
	High Pressure Hose Type	Spare Part Kits Type
	Part number	Part number
VGU/F.25/250.8.TS2.3 20214122823	TS2 (France) 20214800000	10774100023
VGU/F.25/250.8.TS3.3 20214122833	TS3 (Germany) 20228000000	10774100023
VGU/F.25/250.8.TS8.3 20214122883	TS8 (Italy) 20217200000	10774100023
VGU/F.25/250.8.TS9.3 20214122893	TS9 (Netherlands) 20227300000	10774100023
VGU/F.25/400.8.TS2.3 20214139823	TS2 (France) 20214800000	10774100023
VGU/F.25/400.8.TS3.3 20214139833	TS3 (Germany) € 100 20228000000	10774100023
VGU/F.25/400.8.TS8.3 20214139883	TS8 (Italy) 20217200000	10774100023
VGU/F.25/400.8.TS9.3 20214139893	TS9 (Netherlands) 20227300000	10774100023

### Spare Parts Gauge Kit VGU

Type Part number
0 to 25 bar 00090300000
0 to 250 bar 00090500000
0 to 400 bar 00090600000

### Spare Parts Adaptors VGU

Type Part number
Adaptor 7/8" - 14 UNF 20212700223
Adaptor 5/8" - 18 UNF 20213000223
Coupling 8 V1 20214000200
Adaptor 7/8" - 14 UNF 20213500223
Adaptor 1/4" cyl 20221100220



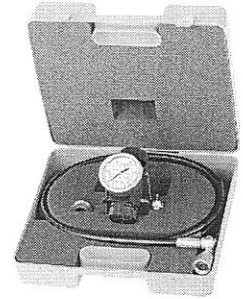
How to order a VGU Charging set: see page 54

Accessories

# Charging Set VG3

The charging set VG3 is an indispensable instrument for the verification, pressurization and nitrogen bleeding of the hydraulic accumulators. The standard set is delivered in a storage case containing the following:

- pressure gauge with standardized graduations in bar
- vent valve
- 3 connection adapters for charging valves. (7/8" - 5/8" - 8V1).
- High pressure hose, 2.5 m length, in standard, maximum working pressure 400 Bar. This hose is fitted at each end with a female swivel coupling G 1/4" BSP for connecting to the inflation port. It can be connected to a commercial nitrogen bottles, in this case add an adapter on one end view model in the country. For the other destinations consult Parker Olaer.
- Operating instruction french/english version



**Note:** On request, the following options are available :

- Pressure gauge with different scale divisions : 63 mm with glycerol bath back end G1/4" BSP equipped with direct gear for minimess @ connection. To scale divisions 0-10,0-60,0-100,0-400, with accuracy class 1.6%.
- High pressure hose of different length with adapters for nitrogen bottles from various countries are available (specify country)

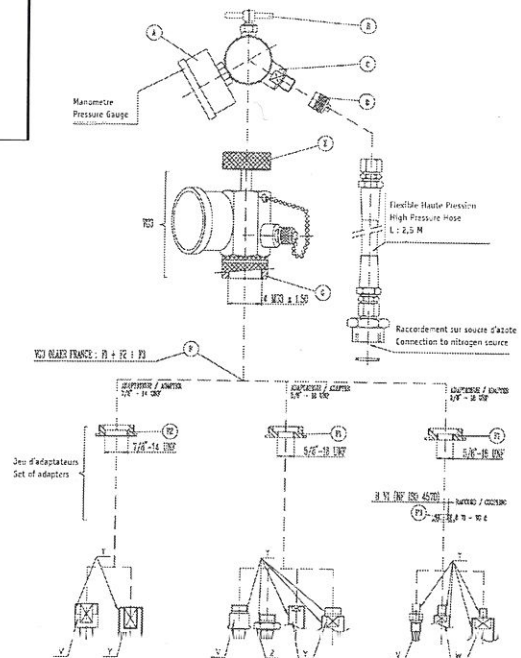
**Maximum working pressure:** limited by the maximum operating pressure of the installed hydraulic system, pressure limited to 400 bar in any case.

Type	Spare Parts		
	Gauge Kit	High Pressure Hose	Spare Part Kits
	Type	Type	Type
Part number	Part number	Part number	Part number
VG3 6 1 TS2 1	0 to 6 bar	20214800000	10529500033
20138101121	00077000000		
VG3 10 1 TS2 1	0 to 10 bar		
20138102121	00077100000		
VG3 25 1 TS3 1	0 to 25 bar		
20138103131	00077200000		
VG3 100 1 TS2 1	0 to 100 bar		
20138104121	00077300000		
VG3 250 1 TS2 1	0 to 250 bar		
20138105121	00077400000		
VG3 400 1 TS2 1	0 to 400 bar		
20138106121	00077500000		

## Spare Parts Adaptors VG3

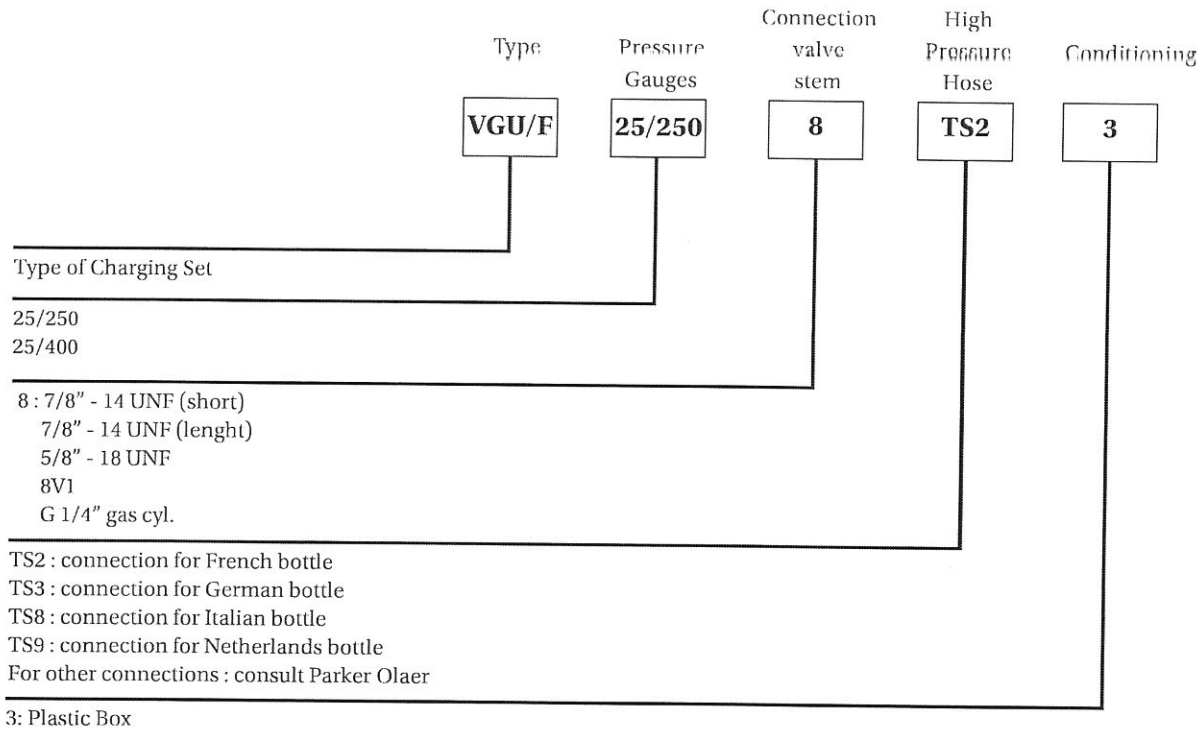
Type
Part number
Adaptor 5/8" - 18 UNF
20138300200
Adaptor 7/8" - 14 UNF
20202004700
Coupling 8 V1
10232700200

How to order a VG3 Charging set: see page 54



Accessories

# How to order a VGU Charging Set



# How to order a VG3 Charging Set

