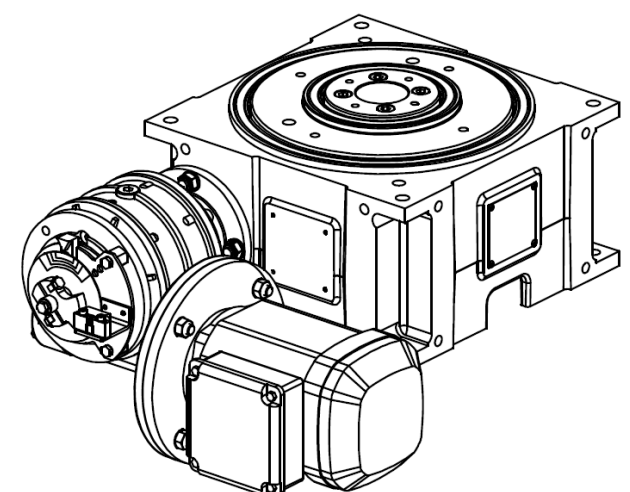


Brake motor size 71 - 4 poles - 0.55 KW - 1380 rpm
 Flange B5 19/200 - IP55 - 230/400V - 50Hz
 Protection TH - RAL 9003

Gear reducer size 70
 r=1/28 - PAM 80B5
 Torque limiter incorporated
 adjusted at 20 daN.m
 RAL 9003



A	02/11/2016	UPDATE PIN-HOLE	HELLYNEK L
Ind.	Date	Modification	Par
	Tol. gen.	Des. LAHAYS D.	Approb.
	J512 / p12	Date : 19-01-2011	Date
SOPAP		Designation :	
		TSM 400- 8-300-2-D-GRS-AB-A-D -E-17-E - LE = 20 daNm	
		CLIENT : FRAMAT GmbH	REF CLIENT : 507719 / 02/11/2016
		N° CDE/OFFRE : 101972	
A1	Ech : 0,400	Poids : - kg	1154595759A