

802 SERIES

Pneumatic Toggle Clamps | Product Overview

Features:

- Pneumatic version of Model 202-U
- Sensor ready for T-slot or round sensors

Applications:

- Assembly
- Welding

Also Available:

See page MC-ACC-1 for spindle accessories

See page MC-PSC-40 for sensing options

High temperature version available upon request, add **-HT** to model number. Example: 802-U-**HT**

802-U
802-UE



Technical Information | Holding Capacities

Model	Maximum Holding Capacity		Max. Exerting Force @ 5bar [72PSI]		Weight	Bore Size	Air Consumption† dm ³ [ft ³]	Port Size	Accessories (Supplied)	
	Inner	Outer	Inner	Outer					Spindle Accessory	Flanged Washers
802-U	[200 lbf] 890 N	[110 lbf] 490 N	[450 lbf] 2010 N	[234 lbf] 1045 N	[1.60lb] 0,73kg	[1.26] 32	[0.012] 0,34	1/8 NPT G-1/8	202208-M	215105
802-UE										

†Per double stroke at 5bar [72PSI]

Max Cylinder Pressure: 10bar [145psig]*

Max Operating Temp: -10°C to 90°C [-14°F to 194°F]

Replacement Seal Kit: 802450-32-1-00

Replacement Clamp Assembly: 802-U-LC

Replacement Cylinder Assembly: 802CYL

*In no case should the inlet pressure be high enough to create an exerting force that exceeds the clamp's holding capacity. See Technical Appendix for details.

Sensor Accessories

Round Reed Switch with Quick Disconnect

T-slot Reed Switch with Quick Disconnect

Quick Disconnect 2M Extension Cable

Quick Disconnect 5M Extension Cable

Item Number

810169

8EA-109-1

CABL-010

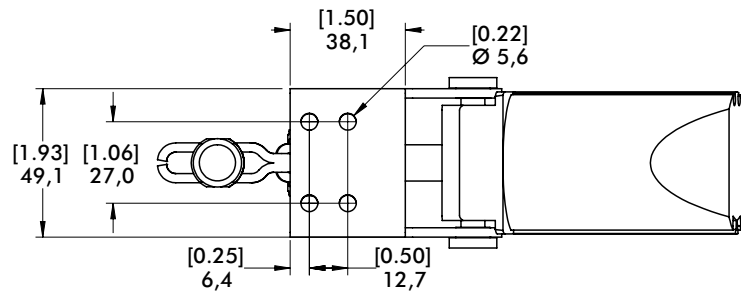
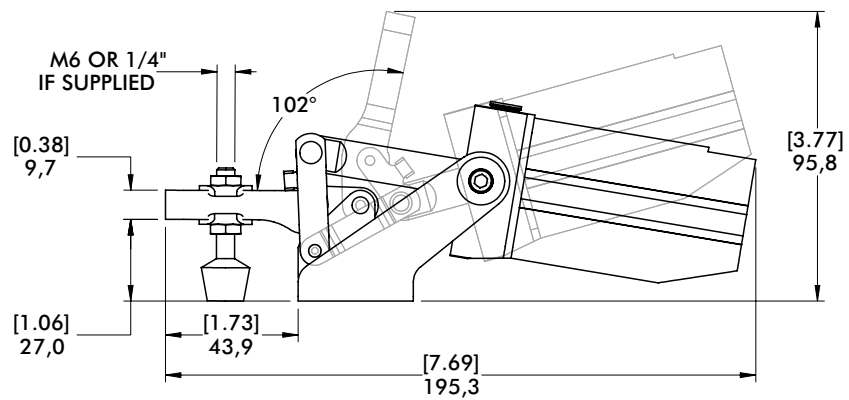
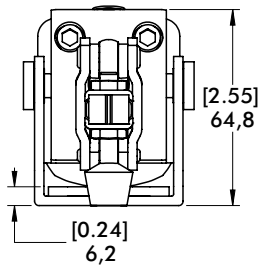
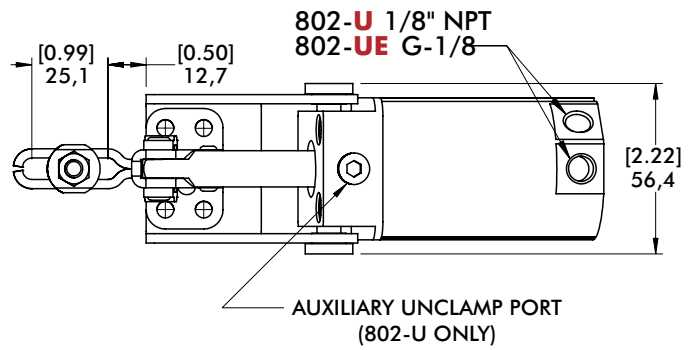
CABL-013

See Pneumatic Accessories section for more options

802 SERIES

Pneumatic Toggle Clamps | Dimensions

802-U
802-UE



mm [INCH]
THIRD ANGLE
PROJECTION