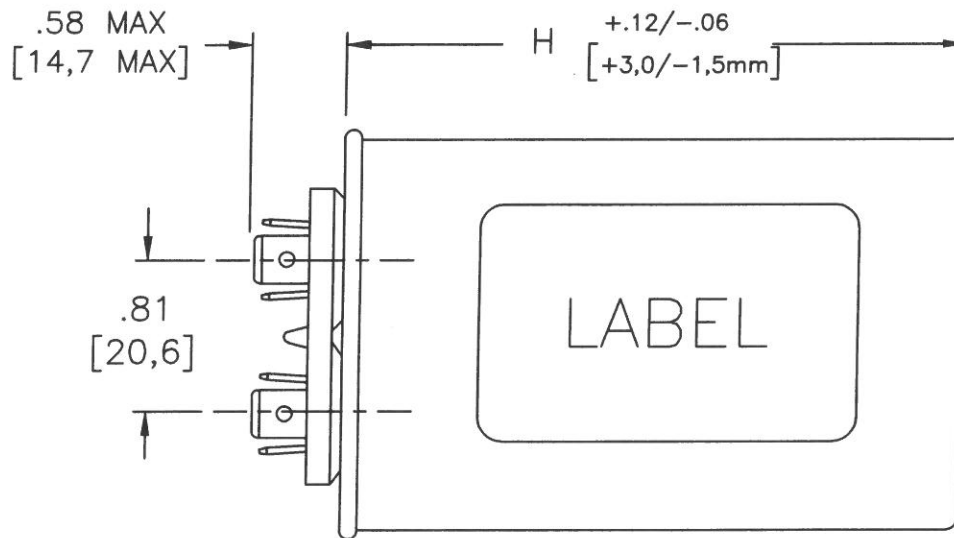
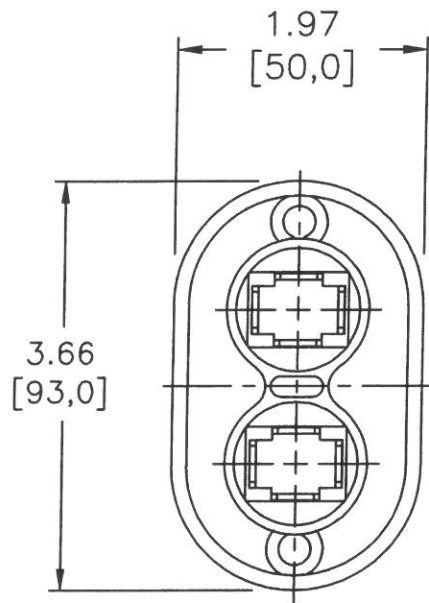


DWG. NO.	REV.
2.00 OVAL REF DWG	-

LTR	REVISION	BY	DATE	APPR
-	REF. DWG	PMF		



NOTES:

1. MATERIAL: *STEEL* CASE, TIN PLATED STEEL COVER
2. TERMINAL: 4 BLADE

3. $H = 5.88''$

H6251016A0BA01A

INTERPRET DRAWING PER ASME Y14.5M-1994

UNLESS OTHERWISE SPECIFIED	DRAWN BY	DATE	TITLE:	Aerovox® Corp.	167 JOHN VERTENTE BLVD., NEW BEDFORD, MA 02745 USA
	P.FANDEL	05/23/14			
DIMS IN INCH [mm]	CHECKED BY	DATE			
.000 ± .030 [0.75]			2.00 OVAL REF DWG	-	
.00 ± .06 [1.5]	APPROVED BY	DATE			THIRD ANGLE PROJECTION
FRACTIONS ±1/64				N/A	
ANGLES ±0°30'	SHEET 1 OF 1				
CAD NO.	2.00_OV				