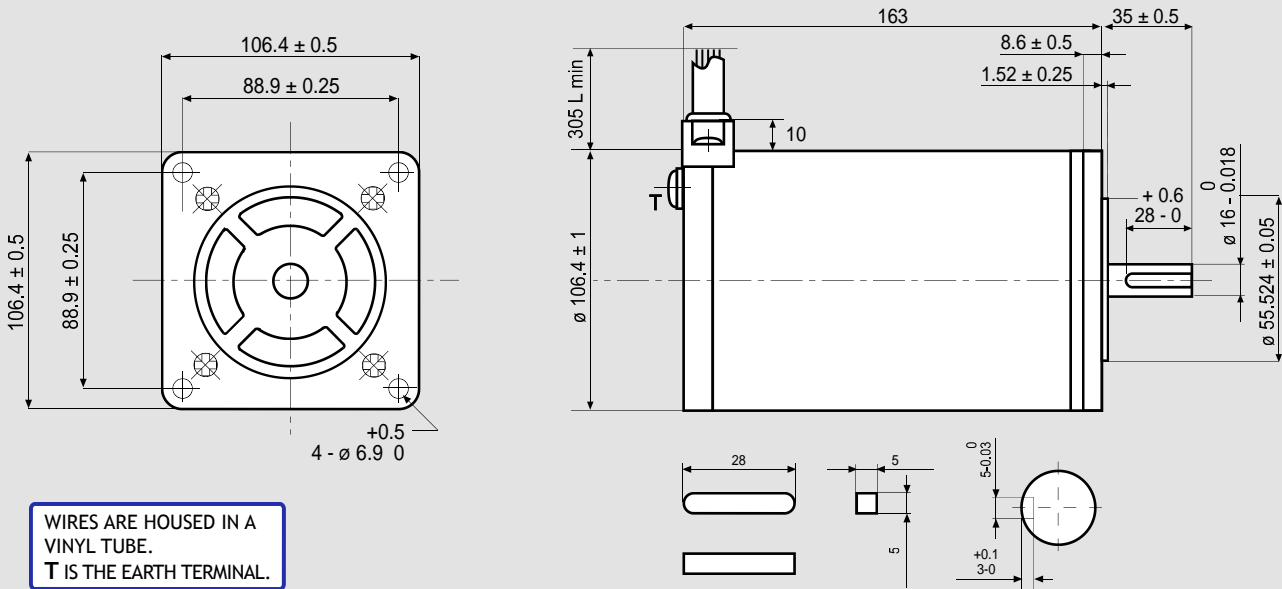


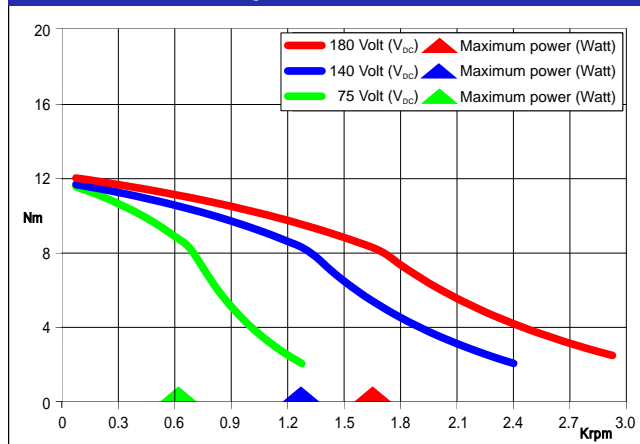
Dimensions (Unit:mm)



FEATURES

MODEL	103-H89222-6541
BASIC STEP ANGLE	$1.8^\circ \pm 0.09^\circ$
BIPOLAR CURRENT (Amp)	10
UNIPOLAR CURRENT (Amp)	10
RESISTANCE (Ohm)	0.16
INDUCTANCE (mH)	1.9
BIPOLAR HOLDING TORQUE (Ncm)	1620
UNIPOLAR HOLDING TORQUE (Ncm)	1620
ROTOR INERTIA ($\text{Kgm}^2 \times 10^{-7}$)	14650
THEORETICAL ACCELERATION ($\text{rad} \times \text{sec}^{-2}$)	11100
BACK E.M.F. (V/Krpm)	162
MASS (Kg)	7
PROTECTION DEGREE	IP43
LEADS CODE	V

TORQUE/SPEED CURVE



R.T.A. s.r.l. PAVIA (ITALY) SANYO DENKI CO., Ltd (JAPAN)



Suggested R.T.A. driver: contact R.T.A.