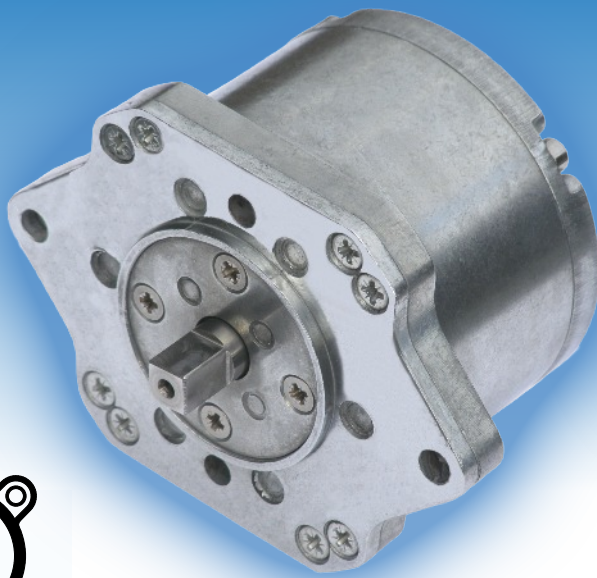


Model LA 215° Vane Dashpot



Specification

Rate
Adjustable
Max (LA4): 300 Nm/rad/s
(2700 lbf.ins/rad/s)

Angle of travel
215° ± 5°
External end stops
must be provided

Max. safe torque
350 lbf.ins / 40 Nm
Continuous power
dissipation not to exceed
10W at 20°C ambient

Max. shaft end load
2 lbf / 10 N

Max. shaft side load
100 lbf / 450 N

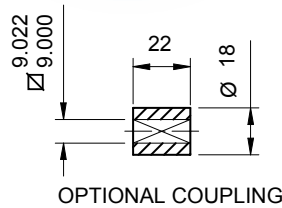
**Ambient temperature
range**
0°C to 60°C

Frictional torque
2 lbf.ins / 0.2 Nm typical

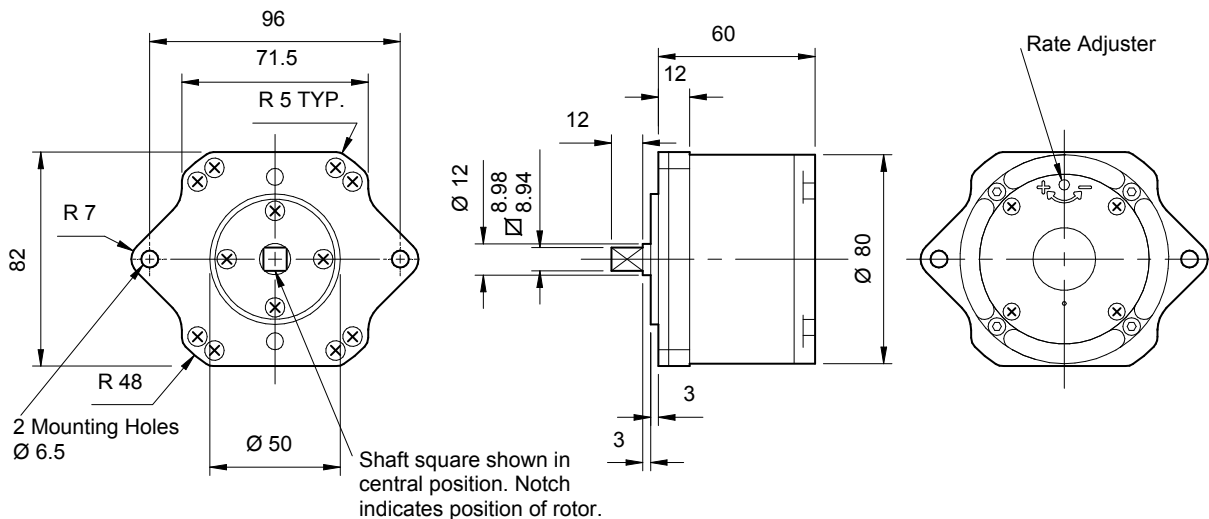
Shaft material
Stainless steel 441S49

Body material
Zinc alloy Ilzro 16

Weight
3.6 lbs / 1.61 kg



Dimensions in mm



Rates

An adjuster permits any damping rate to be obtained within one of the following ranges. The range must be specified when ordering the dashpot.

- **LA1:** 22 to 220 lbf.ins/rad/s / 2.5 to 25 Nm/rad/s
- **LA2:** 53 to 530 lbf.ins/rad/s / 6 to 60 Nm/rad/s
- **LA3:** 106 to 1060 lbf.ins/rad/s / 12 to 120 Nm/rad/s
- **LA4:** 266 to 2660 lbf.ins/rad/s / 30 to 300 Nm/rad/s

With adjuster set to maximum the rate may exceed stated maximum and with adjuster set to minimum the rate may be less than stated minimum.

Options

The following features may be specified for any model:

Differential Rate (FC or FAC)

Gives a large resistance in one direction only and less than 1/10 resistance in the other. Specify free clockwise or free anticlockwise when viewed from shaft end.

Double Damping (DD)

Gives equal resistance in either direction.

Couplings

Steel couplings are available as an option.

Ordering Codes

LA1, 2, 3 or 4 – DD
LA1, 2, 3 or 4 – FC or FAC